

NICHOLS NDI DIVERSIFIED INDUSTRIES, LLC

Built to last a lifetime.

24' Commercial Fishing Vessel



Openwater Design

Hull Length 24' / Hull Beam 10'-6"
Bottom Gauge 0.250" / Side Gauge 0.190"
Deadrise Aft 12° / Deadrise Forward 45°
Gunnel Height 28" / Beam at Chine 118"

Specifications

Hull Material 5086 Aluminum
Approximate Weight 6800 lbs
Main Power (1) Yamaha F250 / 4 Stroke
Fuel Capacity 100 Gallons

Pilot House

- Complete engine instrumentation & gauges
- High visibility aluminum framed window arrangement
- 28" Aluminum door in aft bulkhead
- Cabin is finished with Zolatone spackle paint, insulation and headliner
- Teleflex hydraulic steering station
- Deluxe swiveling helm chair with arm and foot rests
- Cabin heater
- (3) Intermittent, self parking windshield wipers
- Radar and antenna mast
- Night lighting system, including deck lighting and flood lights
- Ritchie Compass
- Dome lights (white & red night)
- Aft control station
- Large forward storage space
- Locking glove box
- 12V power outlets

Hull

- Welded hull seams (100% penetration)
- Full length keel wear plate
- (3) rub rails for maximum hull protection
- (7) 12" welded aluminum cleats
- Self bailing aluminum plate deck
- Stern tie-down railings
- Crab block davit
- Side storage trays port and starboard
- Port side extended swim platform
- Aft transom access door
- Deck wash down system
- 500 GPH bilge pump for all hull compartments
- (2) Deep cycle batteries (Group 31) with battery switches and #1 battery cable
- LED navigation lights & anchor light
- Anchor locker
- Locking storage compartments
- Zinc Anodes

NICHOLS
NDI DIVERSIFIED
INDUSTRIES, LLC

*Your Success
Demands the Best*

**Excellence in Aluminum Catamaran and Monohull
Construction for Recreational and Commercial Use**

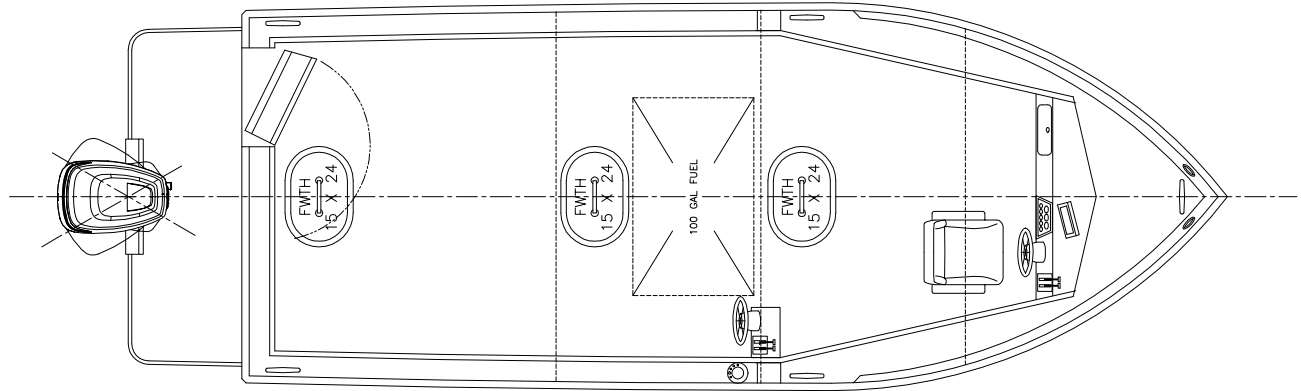
JustinN@Whidbey.com
NDIBoats.com

(360) 331-7230

PO Box 852
Langley, WA 98260

Please visit our website (NDIBoats.com) for a complete listing of all of our boat models from 18' to 50'.

24' COMMERCIAL FISHING VESSEL

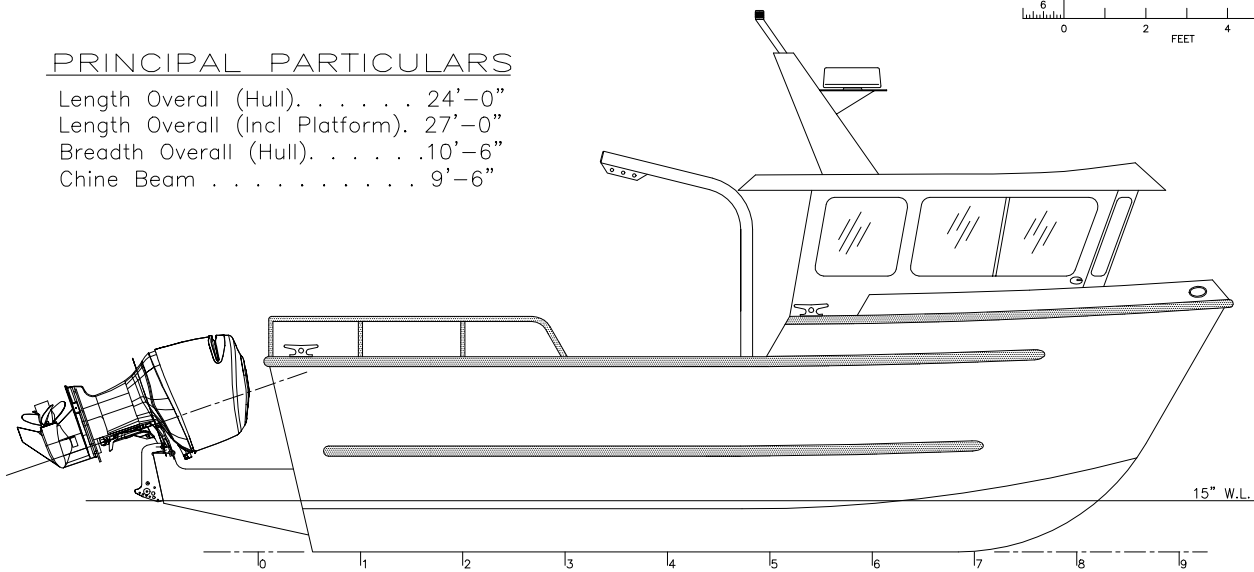


PLAN VIEW



PRINCIPAL PARTICULARS

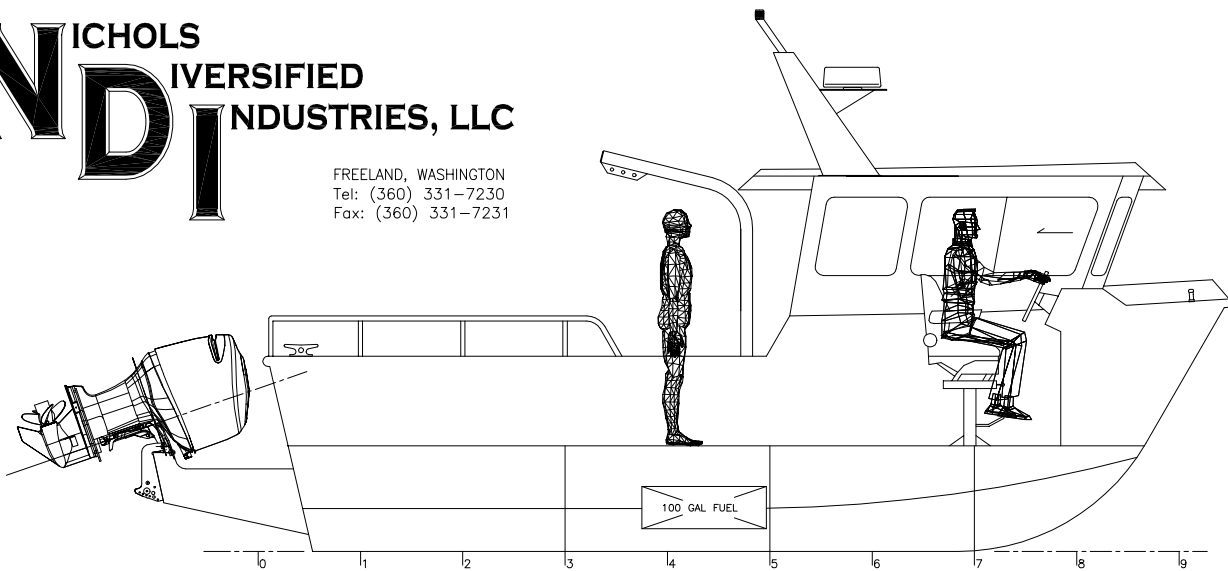
Length Overall (Hull) 24'-0"
 Length Overall (Incl Platform) . 27'-0"
 Breadth Overall (Hull) 10'-6"
 Chine Beam 9'-6"



OUTBOARD PROFILE

NICHOLS
NDI DIVERSIFIED
INDUSTRIES, LLC

FREELAND, WASHINGTON
 Tel: (360) 331-7230
 Fax: (360) 331-7231



INBOARD PROFILE

ALL PROFILE AND ARRANGEMENT DRAWINGS ARE MODIFIABLE TO SUIT THE NEEDS OR PREFERENCES OF OUR CUSTOMERS. PLEASE ALLOW US TO ACCOMMODATE YOU WITH YOUR PREFERRED CHANGES.