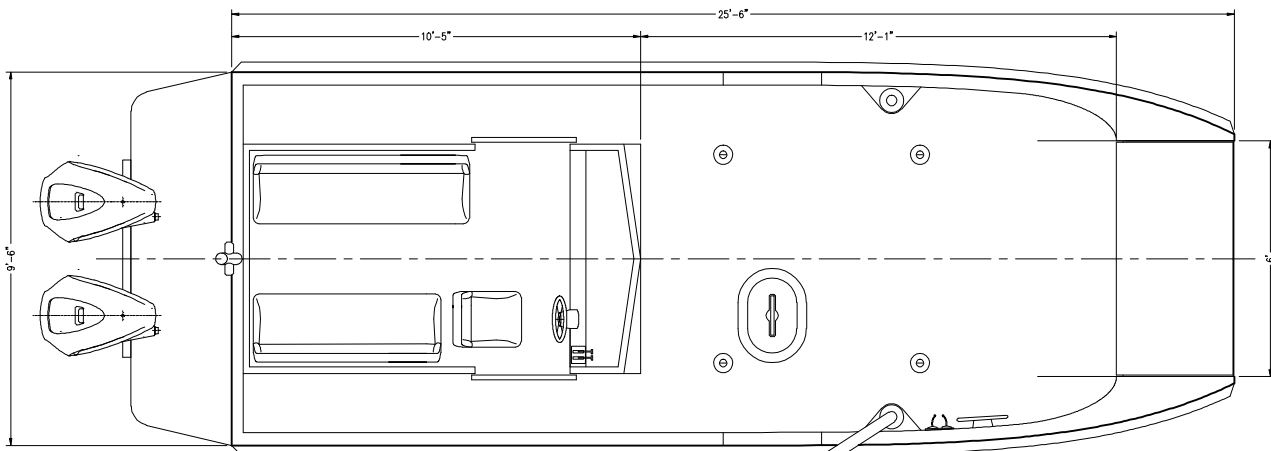


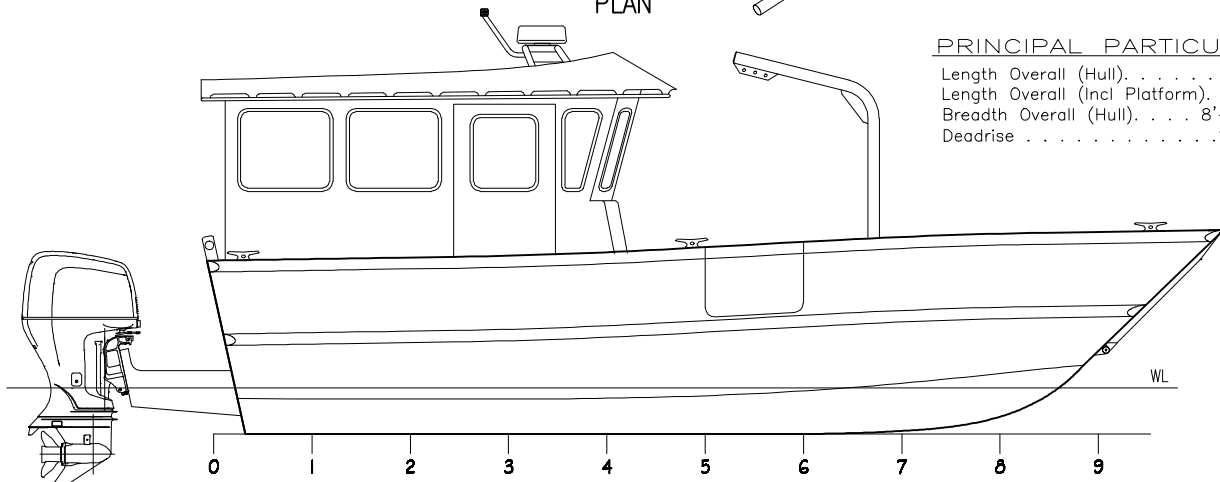
26' COMM / REC LANDING CRAFT



PLAN

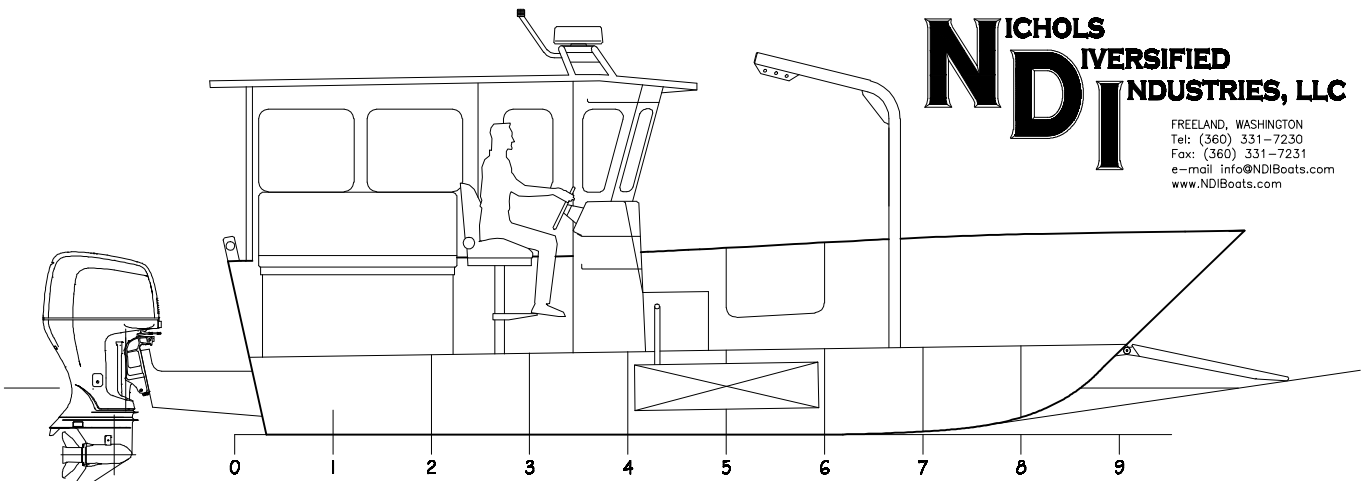
PRINCIPAL PARTICULARS

Length Overall (Hull) 26'-0"
 Length Overall (Incl Platform) . . 29'-0"
 Breadth Overall (Hull) 8'-6" to 12'
 Deadrise 12'-18"



OUTBD PROFILE

**NICHOLS
 DIVERSIFIED
 NDI INDUSTRIES, LLC**
 FREELAND, WASHINGTON
 Tel: (360) 331-7230
 Fax: (360) 331-7231
 e-mail info@NDIBoats.com
 www.NDIBoats.com



INBD PROFILE

ALL PROFILE AND ARRANGEMENT DRAWINGS ARE MODIFIABLE TO SUIT THE NEEDS OR PREFERENCES OF OUR CUSTOMERS. PLEASE ALLOW US TO ACCOMMODATE YOU WITH YOUR PREFERRED CHANGES.

**ALL VESSELS AVAILABLE
 FROM 20' TO 50'**