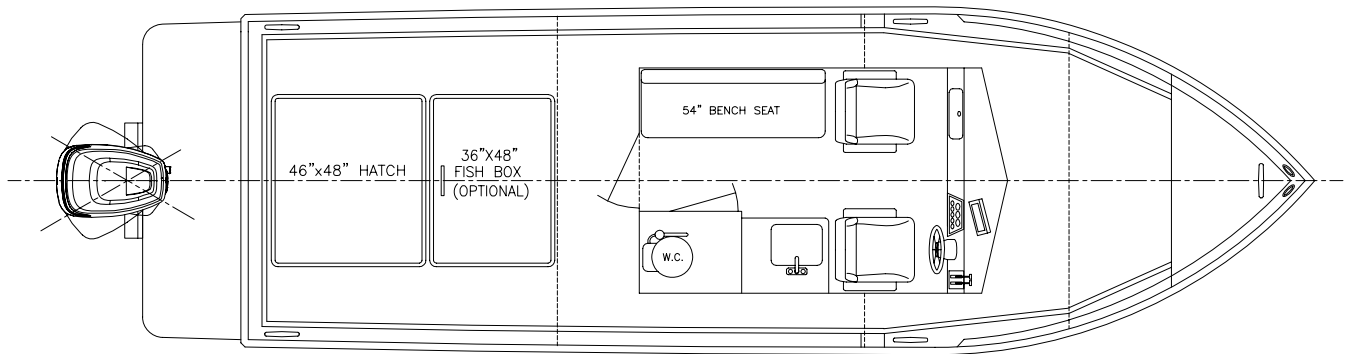


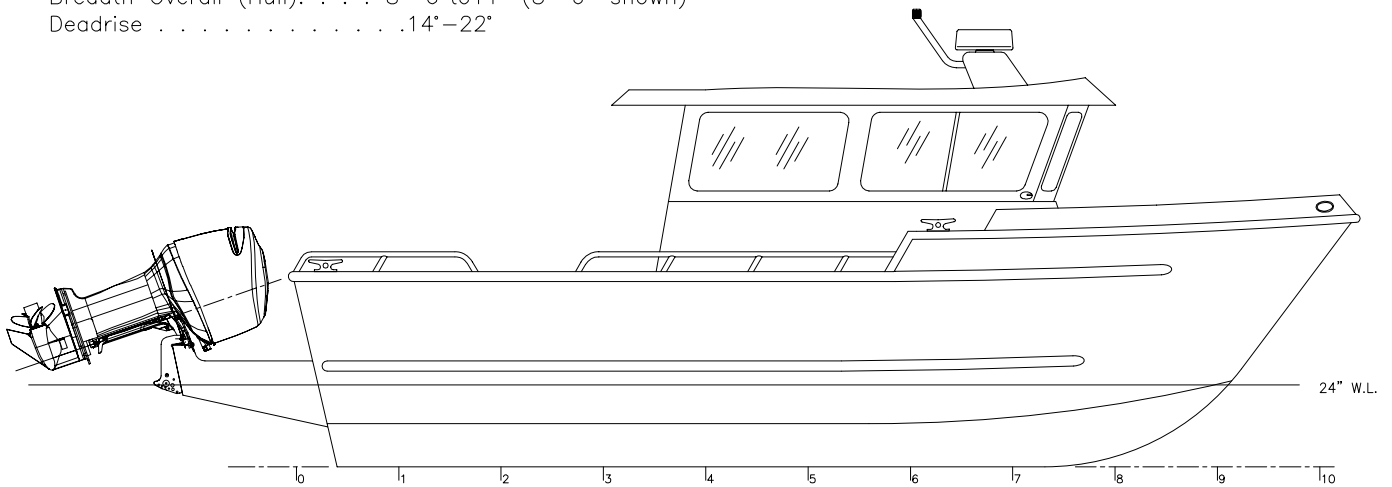
26' COMM/CHTR/REC FISHING BOAT



PRINCIPAL PARTICULARS

Length Overall (Hull) 26'-0"
 Length Overall (Incl Platform) . . 29'-0"
 Breadth Overall (Hull) 8'-6" to 11' (8'-6" shown)
 Deadrise 14'-22"

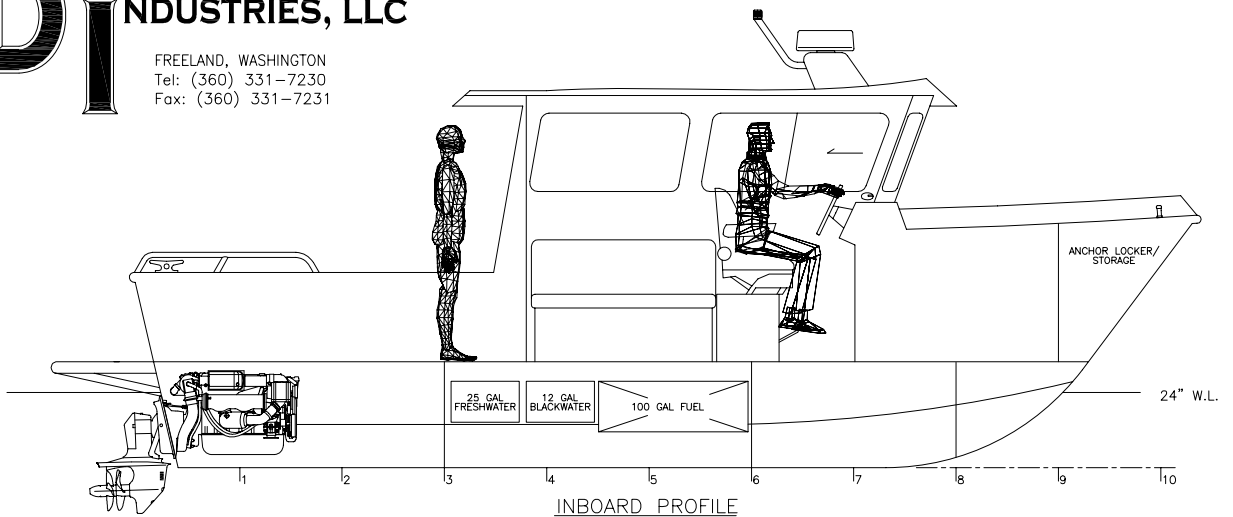
PLAN VIEW



OUTBOARD PROFILE

NICHOLS
NDI DIVERSIFIED
INDUSTRIES, LLC

FREELAND, WASHINGTON
 Tel: (360) 331-7230
 Fax: (360) 331-7231



INBOARD PROFILE

ALL PROFILE AND ARRANGEMENT DRAWINGS ARE MODIFIABLE TO SUIT THE NEEDS OR PREFERENCES OF OUR CUSTOMERS. PLEASE ALLOW US TO ACCOMMODATE YOU WITH YOUR PREFERRED CHANGES.