

NICHOLS NDI DIVERSIFIED INDUSTRIES, LLC

Built to last a lifetime.

26' Commercial Landing Craft



Specifications

Hull Material 5086 Aluminum
 Approximate Weight 3500 lbs
 Main Power (1) 225 HP Honda
 Fuel Capacity 115 Gallons
 Payload Capacity 3800 lbs

Instrumentation and Controls

- Complete engine instrumentation & gauges
- High visibility helm with aluminum roof & wind screen
- Teleflex hydraulic steering
- Deluxe swiveling helm chair with arm rests
- Bench seat with dry storage area beneath
- Dual speed, self parking windshield wiper
- Radar and antenna mast
- Night lighting system, including deck flood lights
- Ritchie Compass
- Forward helm station
- 12V power outlets

Hull

- 60" wide forward landing ramp
- Welded hull seams (100% penetration)
- Full length keel wear plate
- (2) rub rails for hull protection
- (6) 10" welded aluminum cleats
- Self bailing aluminum deck
- Crab block davit
- Side storage trays port and starboard
- 1500 GPH automatic bilge pump
- (2) Deep cycle batteries (Group 31) with battery switches and #1 battery cable
- LED navigation lights & anchor light
- Locking storage compartments
- Anchor locker
- Zinc Anodes

Openwater Design

Hull Length 25'-6"
 Hull Beam 8'-6"

Bottom Gauge 0.250"
 Side Gauge 0.190"

Deadrise Aft 12°
 Deadrise Forward 45°

Gunnel Height 32"
 Beam at Chine 7'-6"

NICHOLS
NDI DIVERSIFIED
INDUSTRIES, LLC

*Your Success
Demands the Best*

**Excellence in Aluminum Catamaran and Monohull
 Construction for Recreational and Commercial Use**

JustinN@Whidbey.com
 NDIBoats.com

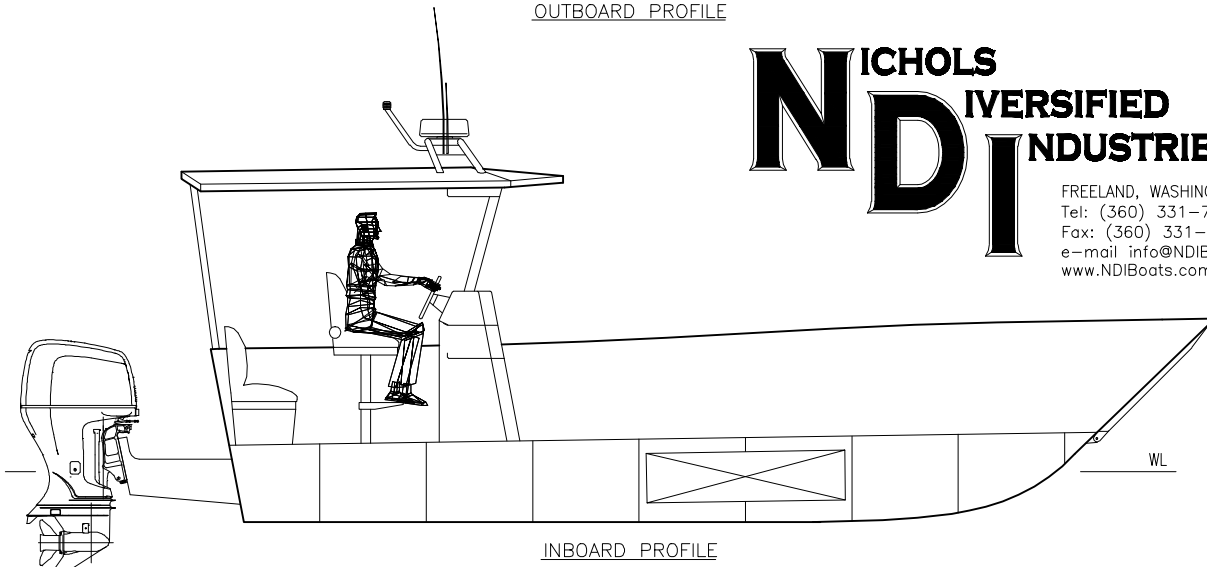
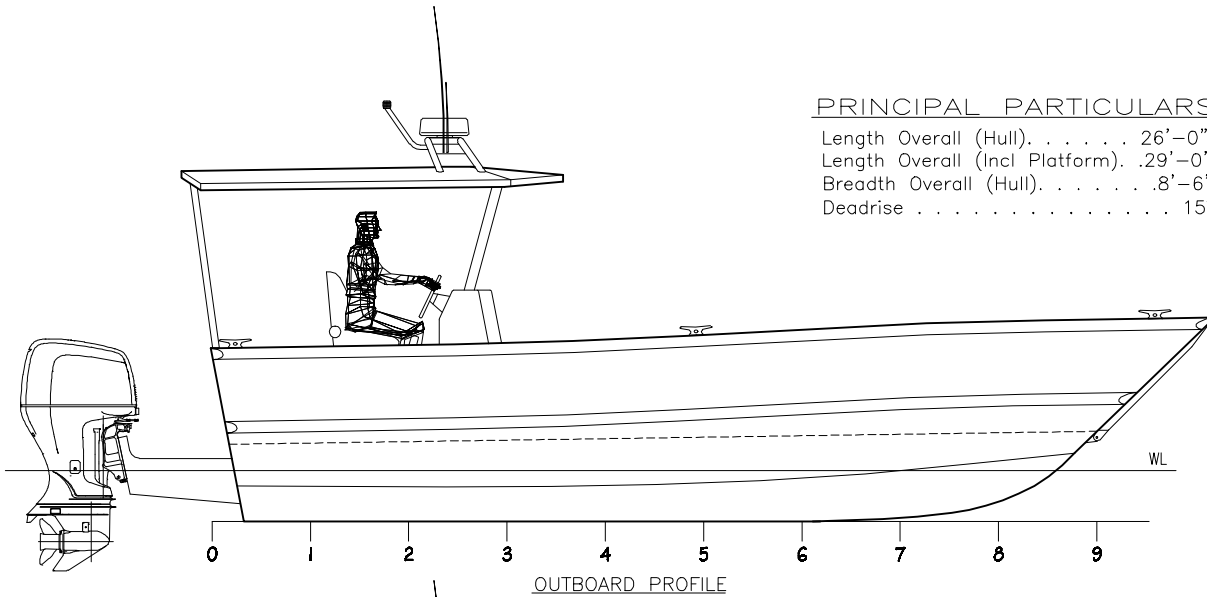
PO Box 852
 Langley, WA 98260
 (360) 331-7230

Please visit our website (NDIBoats.com) for a complete listing of all of our boat models from 18' to 50'.

26' COMMERCIAL LANDING CRAFT

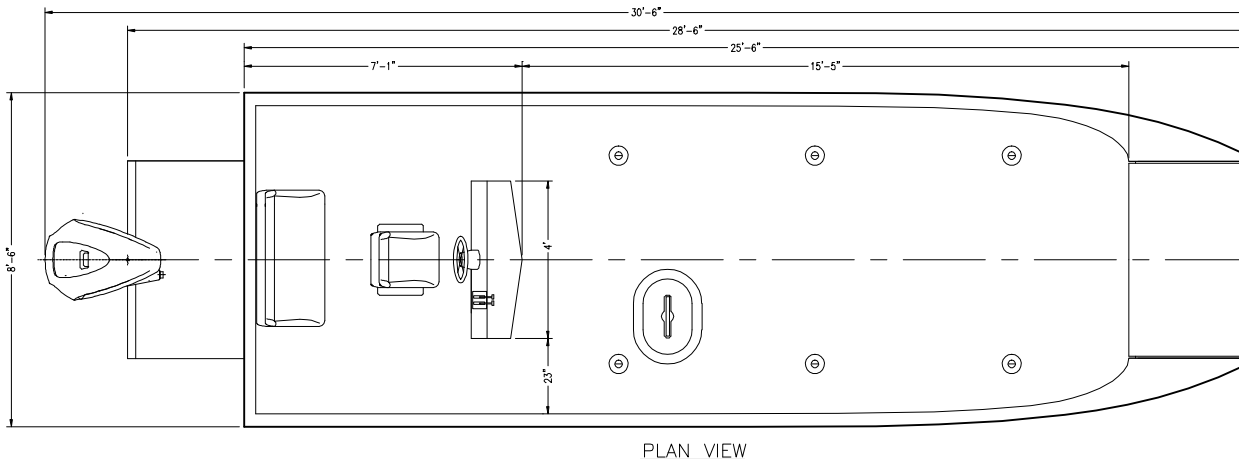
PRINCIPAL PARTICULARS

Length Overall (Hull) 26'-0"
 Length Overall (Incl Platform) . . 29'-0"
 Breadth Overall (Hull) 8'-6"
 Deadrise 15'



NICHOLS
NDI DIVERSIFIED
INDUSTRIES, LLC

FREELAND, WASHINGTON
 Tel: (360) 331-7230
 Fax: (360) 331-7231
 e-mail info@NDIBoats.com
 www.NDIBoats.com



ALL PROFILE AND ARRANGEMENT DRAWINGS ARE MODIFIABLE TO SUIT THE NEEDS OR PREFERENCES OF OUR CUSTOMERS. PLEASE ALLOW US TO ACCOMMODATE YOU WITH YOUR PREFERRED CHANGES.

**ALL VESSELS AVAILABLE
 FROM 20' TO 50'**