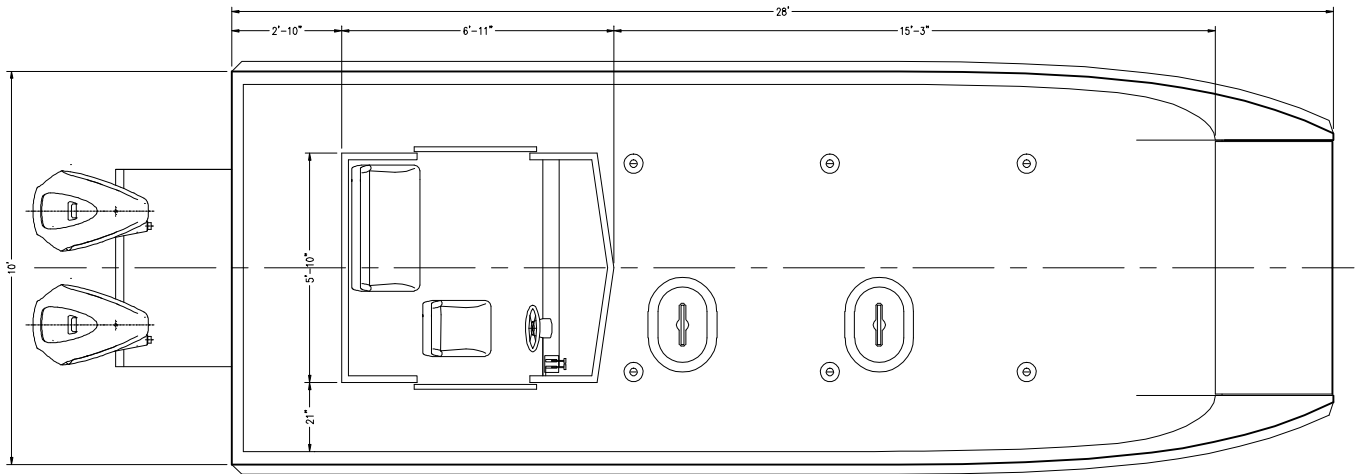


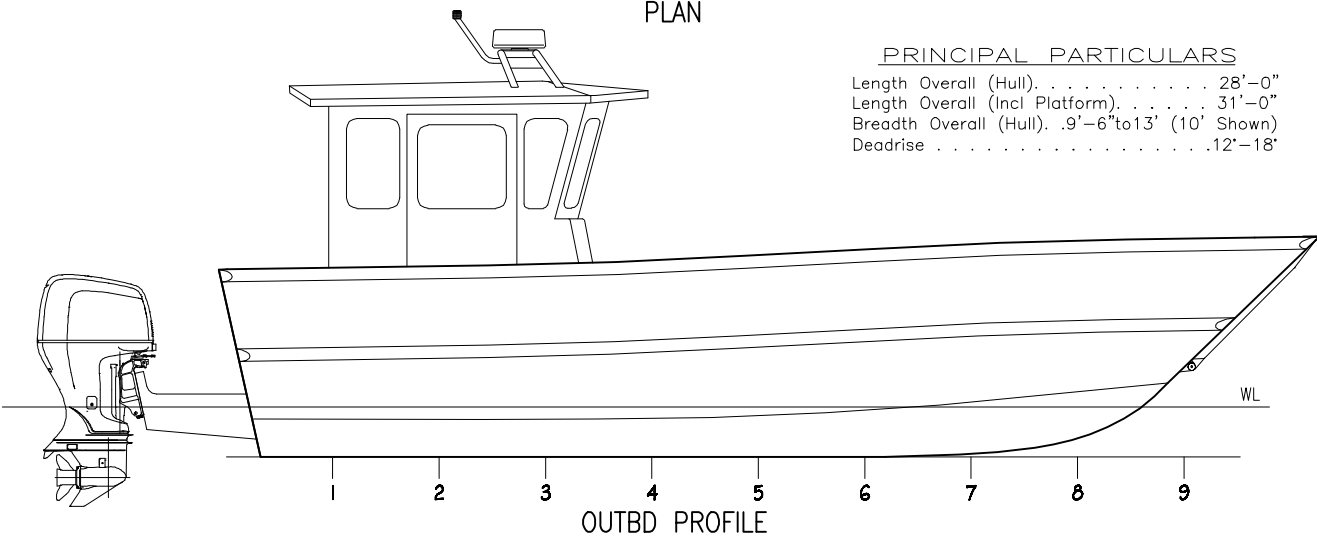
# 28' COMM / REC LANDING CRAFT



PLAN

### PRINCIPAL PARTICULARS

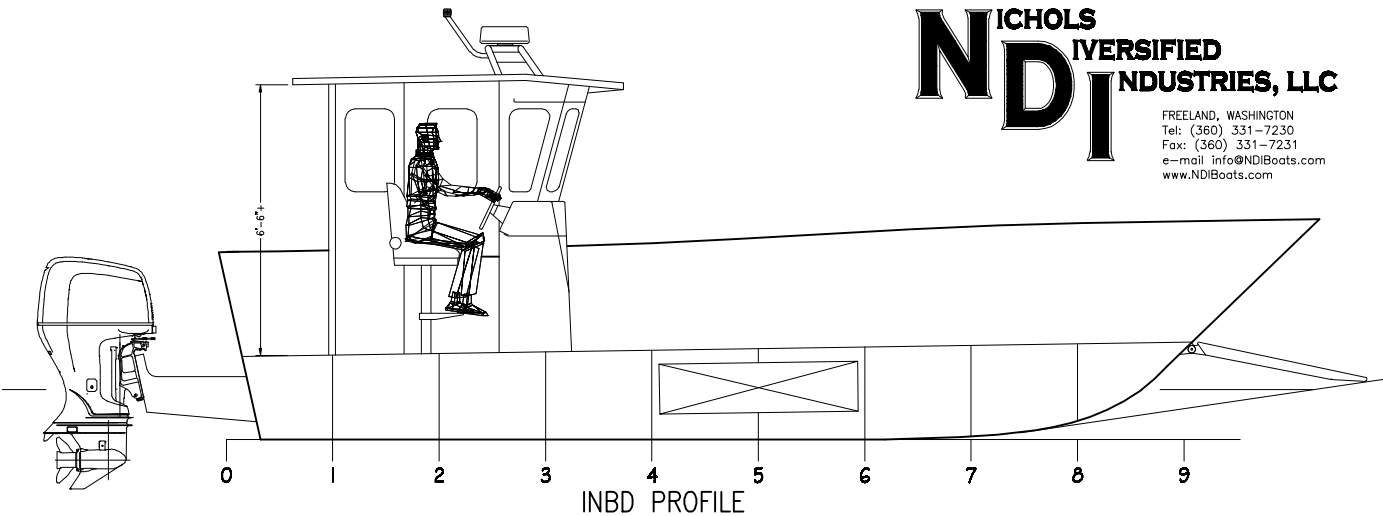
Length Overall (Hull) . . . . . 28'-0"  
 Length Overall (Incl Platform) . . . . . 31'-0"  
 Breadth Overall (Hull) . .9'-6"to13' (10' Shown)  
 Deadrise . . . . . 12'-18"



OUTBD PROFILE

**NICHOLS**  
**IVERSIFIED**  
**NDI** INDUSTRIES, LLC

FREELAND, WASHINGTON  
 Tel: (360) 331-7230  
 Fax: (360) 331-7231  
 e-mail info@NDIBoats.com  
 www.NDIBoats.com



INBD PROFILE

ALL PROFILE AND ARRANGEMENT DRAWINGS ARE MODIFIABLE TO SUIT THE NEEDS OR PREFERENCES OF OUR CUSTOMERS. PLEASE ALLOW US TO ACCOMMODATE YOU WITH YOUR PREFERRED CHANGES.

**ALL VESSELS AVAILABLE FROM 20' TO 50'**