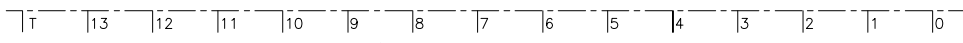
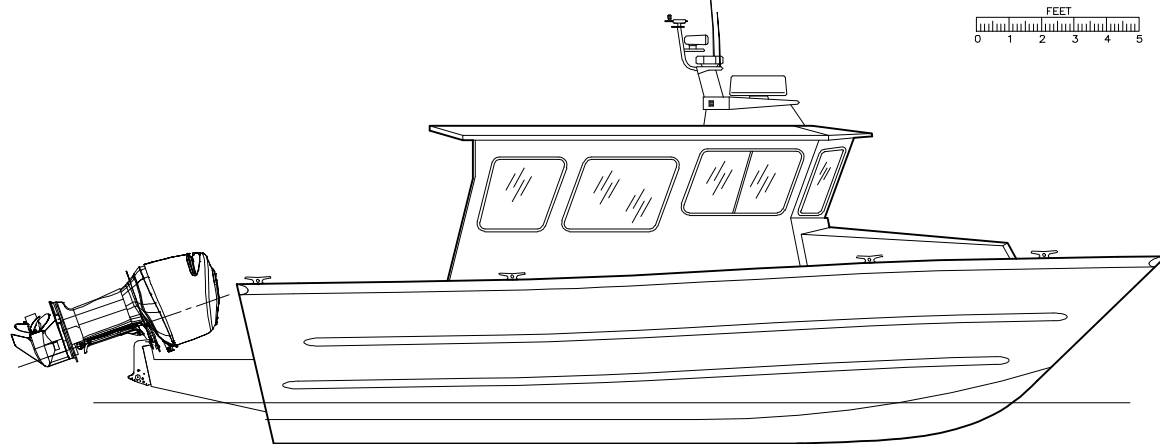
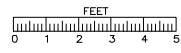
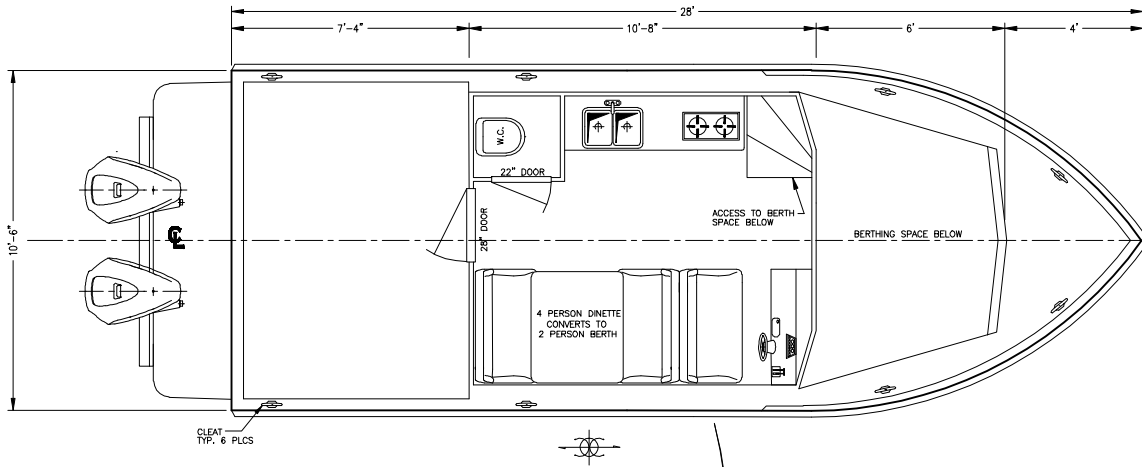


28'x10'-6" RECREATIONAL OVERNIGHT MONOHULL

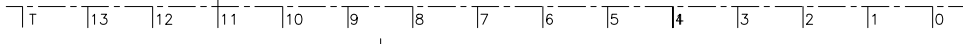
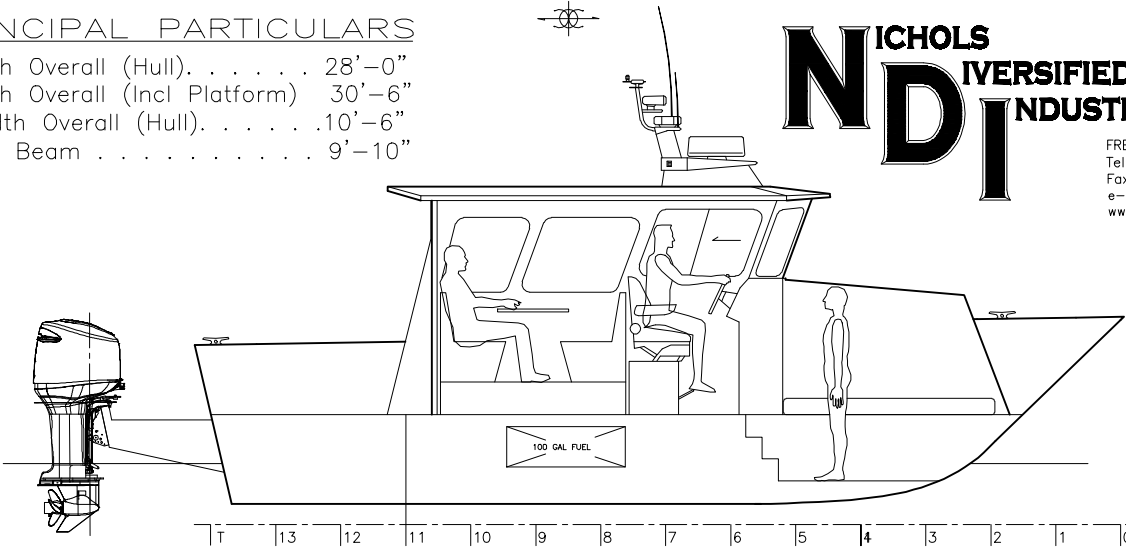


PRINCIPAL PARTICULARS

- Length Overall (Hull) 28'-0"
- Length Overall (Incl Platform) 30'-6"
- Breadth Overall (Hull) 10'-6"
- Chine Beam 9'-10"

**NICHOLS
DIVERSIFIED
NDI INDUSTRIES, LLC**

FREELAND, WASHINGTON
Tel: (360) 331-7230
Fax: (360) 331-7231
e-mail info@NDIBoats.com
www.NDIBoats.com



ALL PROFILE AND ARRANGEMENT DRAWINGS ARE MODIFIABLE TO SUIT THE NEEDS OR PREFERENCES OF OUR CUSTOMERS. PLEASE ALLOW US TO ACCOMMODATE YOU WITH YOUR PREFERRED CHANGES.

**ALL VESSELS AVAILABLE
FROM 20' TO 50'**