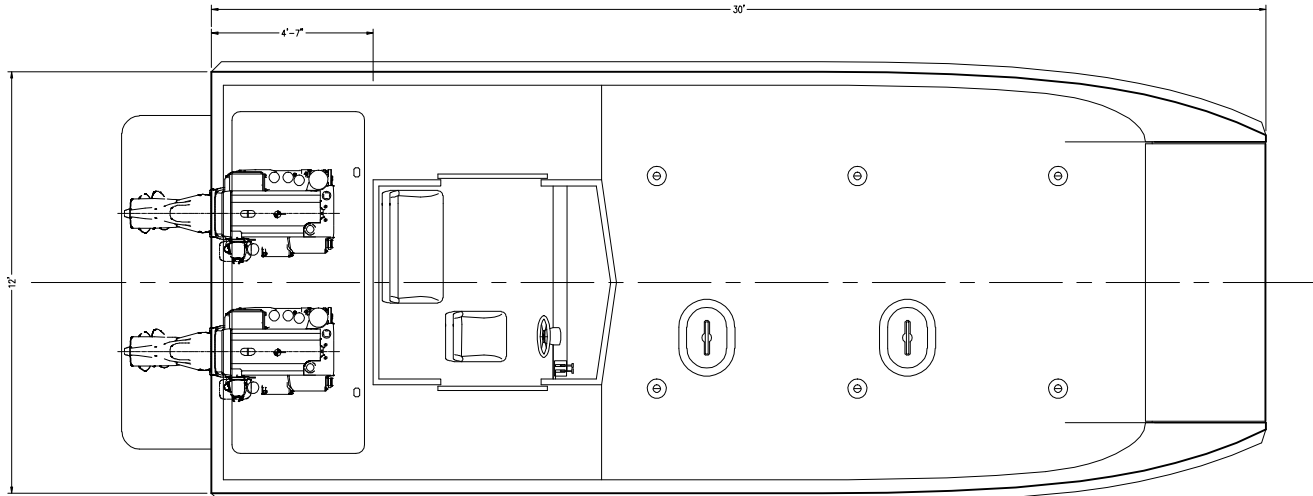


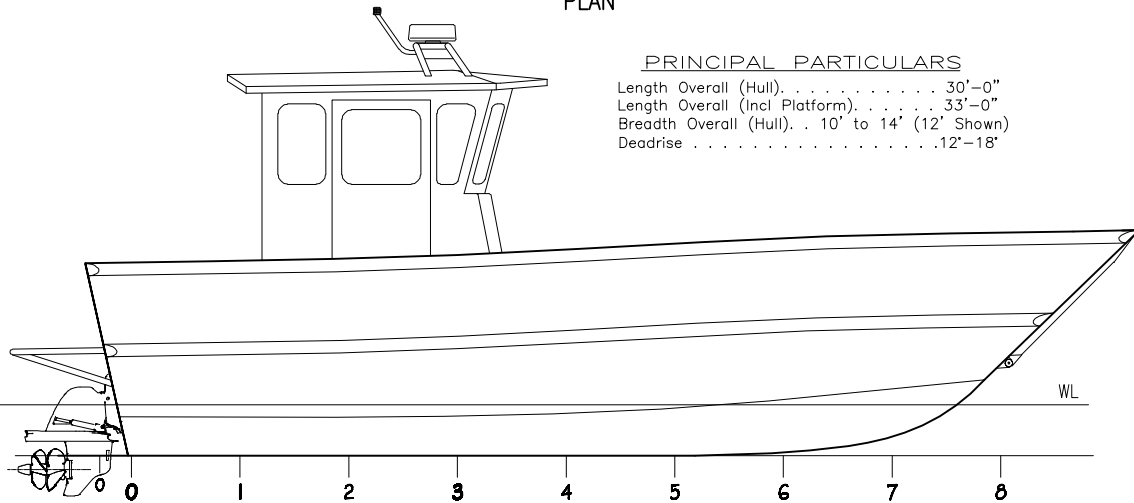
# 30' COMM / REC LANDING CRAFT



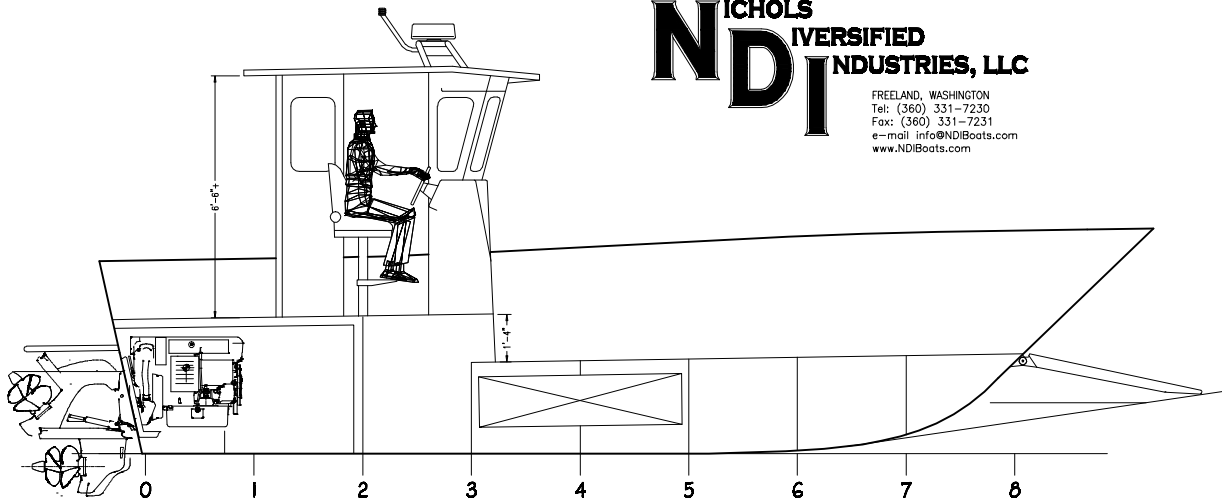
PLAN

## PRINCIPAL PARTICULARS

Length Overall (Hull) . . . . . 30'-0"  
 Length Overall (Incl Platform) . . . . . 33'-0"  
 Breadth Overall (Hull) . . . 10' to 14' (12' Shown)  
 Deadrise . . . . . 12'-18"



OUTBD PROFILE



INBD PROFILE

**NICHOLS  
 DIVERSIFIED  
 NDI INDUSTRIES, LLC**

FREELAND, WASHINGTON  
 Tel: (360) 331-7230  
 Fax: (360) 331-7231  
 e-mail: info@NDIBoats.com  
 www.NDIBoats.com

ALL PROFILE AND ARRANGEMENT DRAWINGS ARE MODIFIABLE TO SUIT THE NEEDS OR PREFERENCES OF OUR CUSTOMERS. PLEASE ALLOW US TO ACCOMMODATE YOU WITH YOUR PREFERRED CHANGES.

**ALL VESSELS AVAILABLE  
 FROM 20' TO 50'**