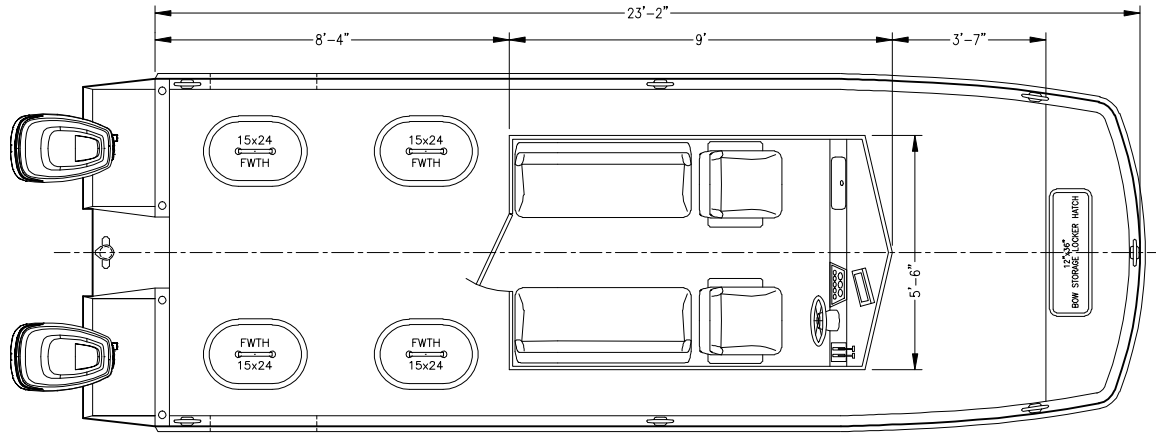


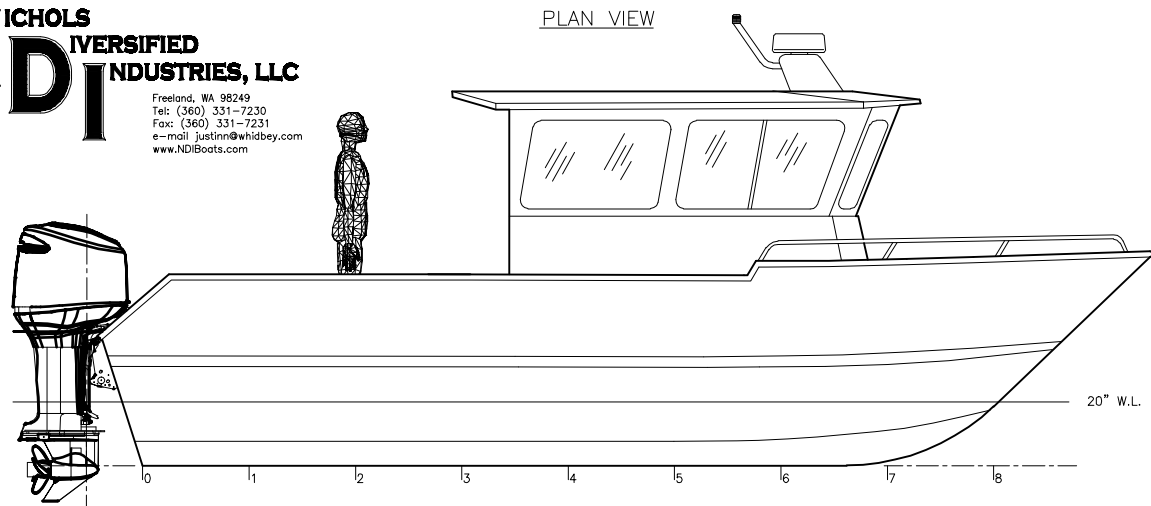
23'X8'-6" RESCUE CATAMARAN



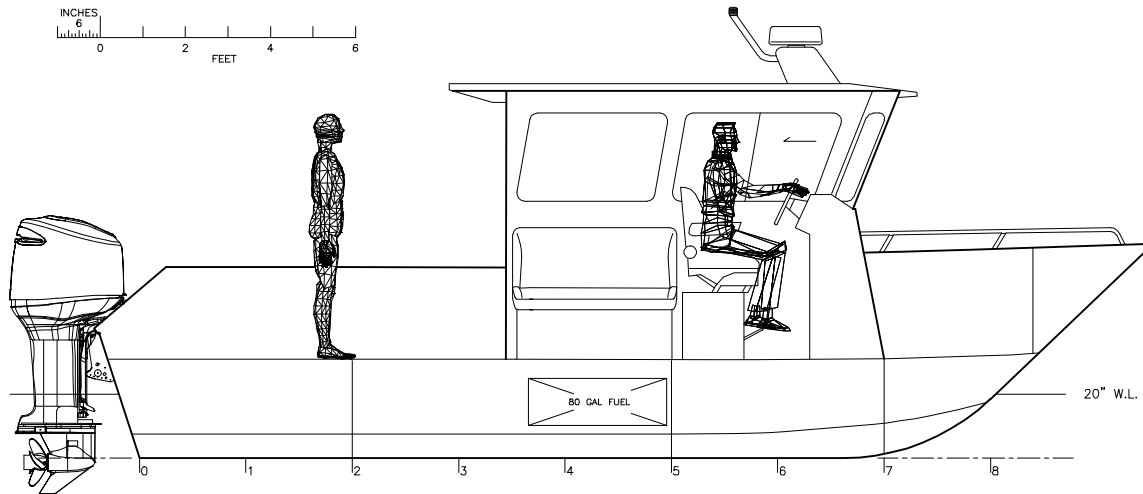
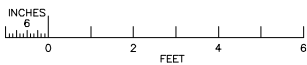
PLAN VIEW

NICHOLS
IVERSIFIED
NDI INDUSTRIES, LLC

Freeland, WA 98249
 Tel: (360) 331-7230
 Fax: (360) 331-7231
 e-mail: justinn@whidbey.com
www.NDIBoats.com



OUTBOARD PROFILE



INBOARD PROFILE

ALL PROFILE AND ARRANGEMENT DRAWINGS ARE MODIFIABLE TO SUIT THE NEEDS OR PREFERENCES OF OUR CUSTOMERS. PLEASE ALLOW US TO ACCOMMODATE YOU WITH YOUR PREFERRED CHANGES.

ALL VESSELS AVAILABLE FROM 20' TO 50'