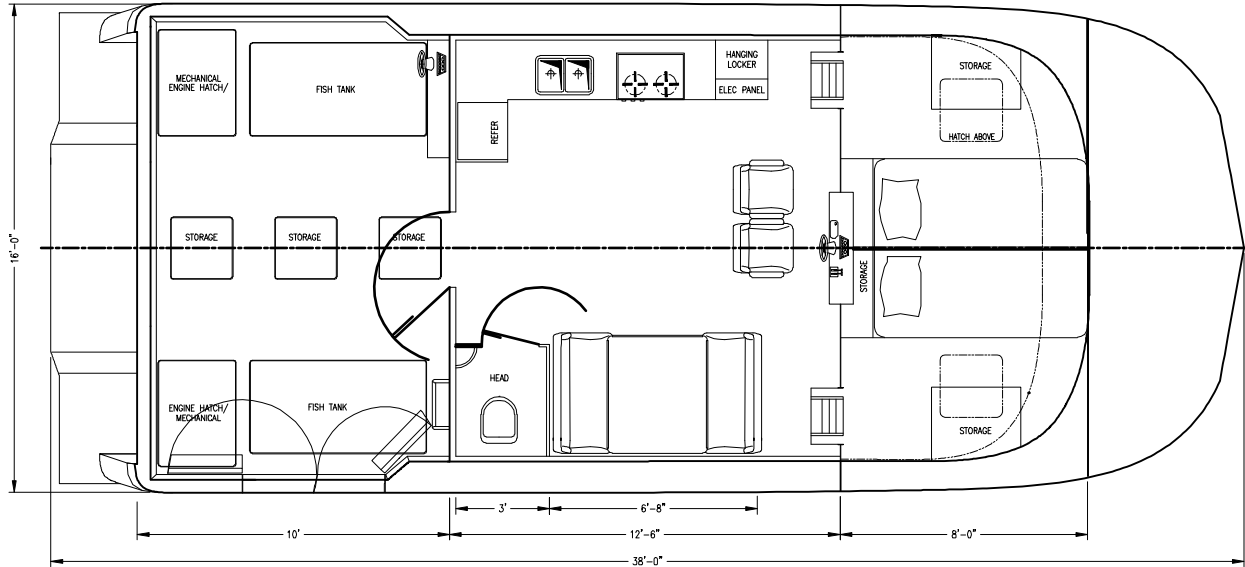


38'x16' RECREATIONAL CATAMARAN

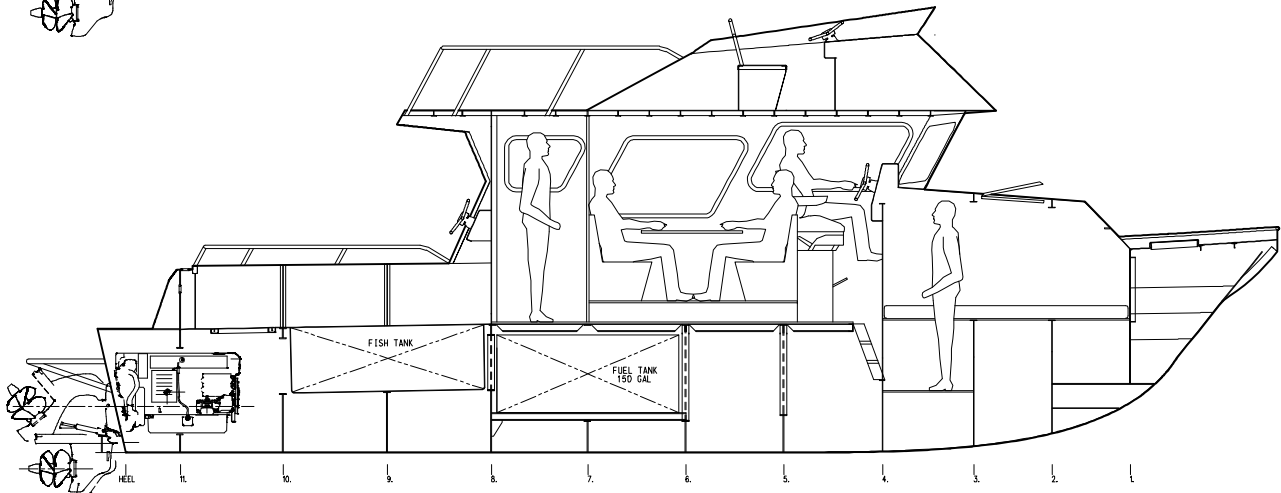
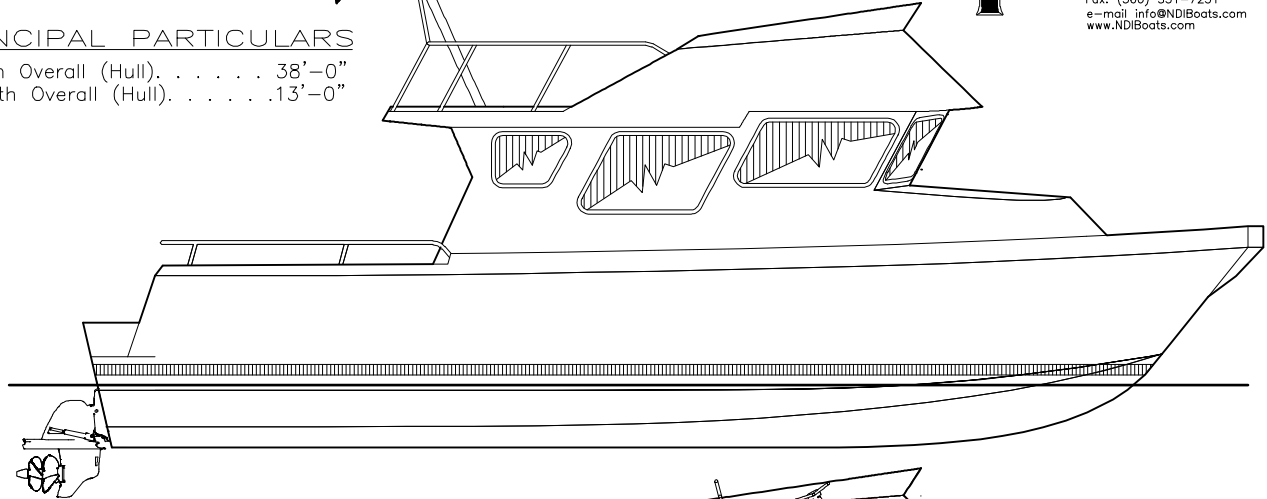


**NICHOLS
NDI
VERIFIED
INDUSTRIES, LLC**

FREELAND, WASHINGTON
Tel: (360) 331-7230
Fax: (360) 331-7231
e-mail: info@NDIBoats.com
www.NDIBoats.com

PRINCIPAL PARTICULARS

Length Overall (Hull) 38'-0"
Breadth Overall (Hull) 13'-0"



ALL PROFILE AND ARRANGEMENT DRAWINGS ARE MODIFIABLE TO SUIT THE NEEDS OR PREFERENCES OF OUR CUSTOMERS. PLEASE ALLOW US TO ACCOMMODATE YOU WITH YOUR PREFERRED CHANGES.

**ALL VESSELS AVAILABLE
FROM 20' TO 50'**