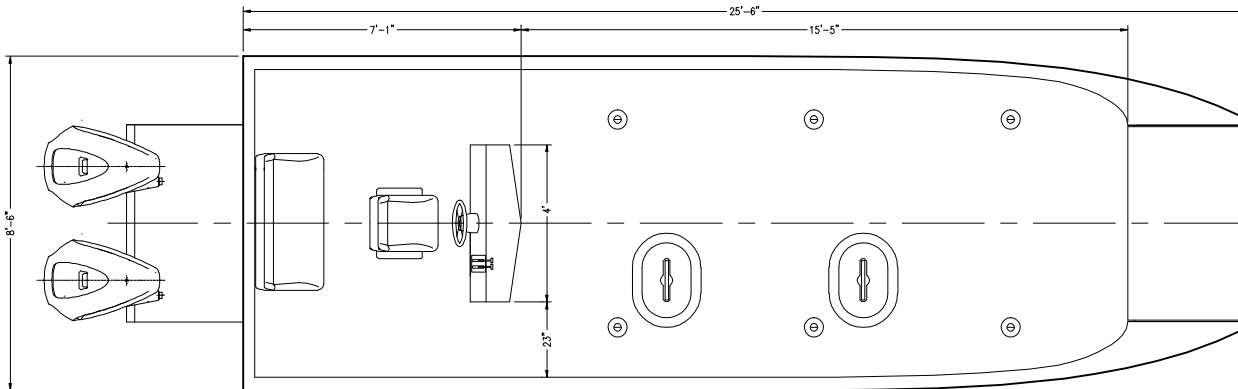
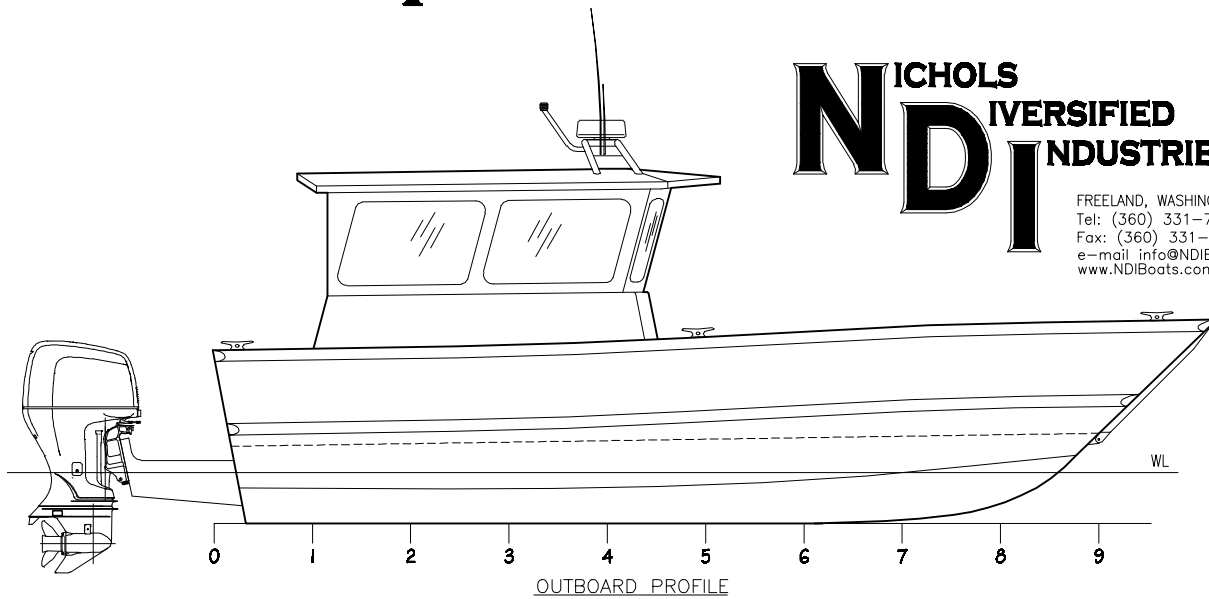


26' COMM / REC LANDING CRAFT

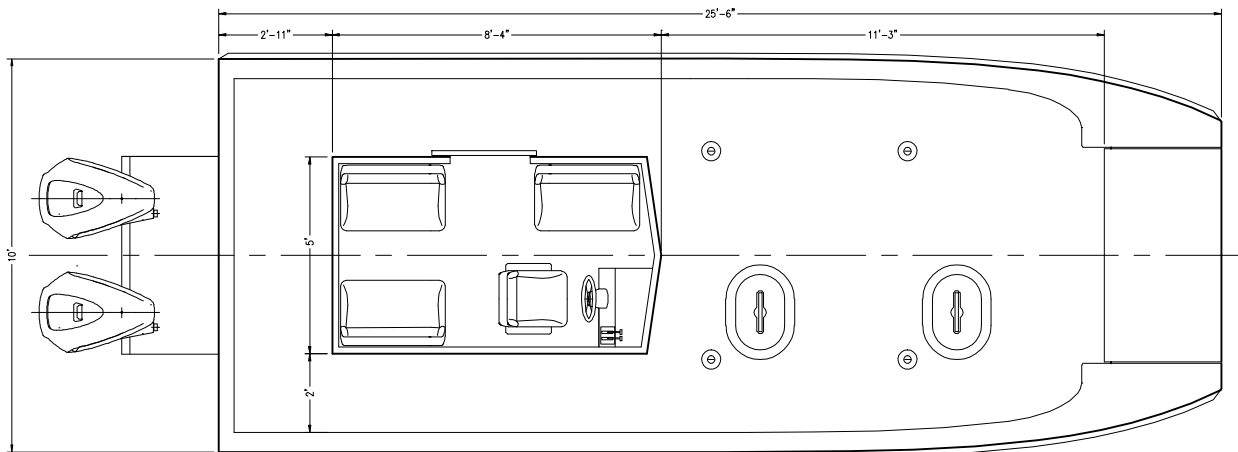
**NICHOLS
NDI
IVERSIFIED
INDUSTRIES, LLC**

FREELAND, WASHINGTON
Tel: (360) 331-7230
Fax: (360) 331-7231
e-mail info@NDIBoats.com
www.NDIBoats.com



PRINCIPAL PARTICULARS

Length Overall (Hull). 26'-0"
Length Overall (Incl Platform). .29'-0"
Breadth Overall (Hull). 8'-6"to12'
Deadrise 12'-18'



ALL PROFILE AND ARRANGEMENT DRAWINGS ARE MODIFIABLE TO SUIT THE NEEDS OR PREFERENCES OF OUR CUSTOMERS. PLEASE ALLOW US TO ACCOMMODATE YOU WITH YOUR PREFERRED CHANGES.

**ALL VESSELS AVAILABLE
FROM 20' TO 50'**