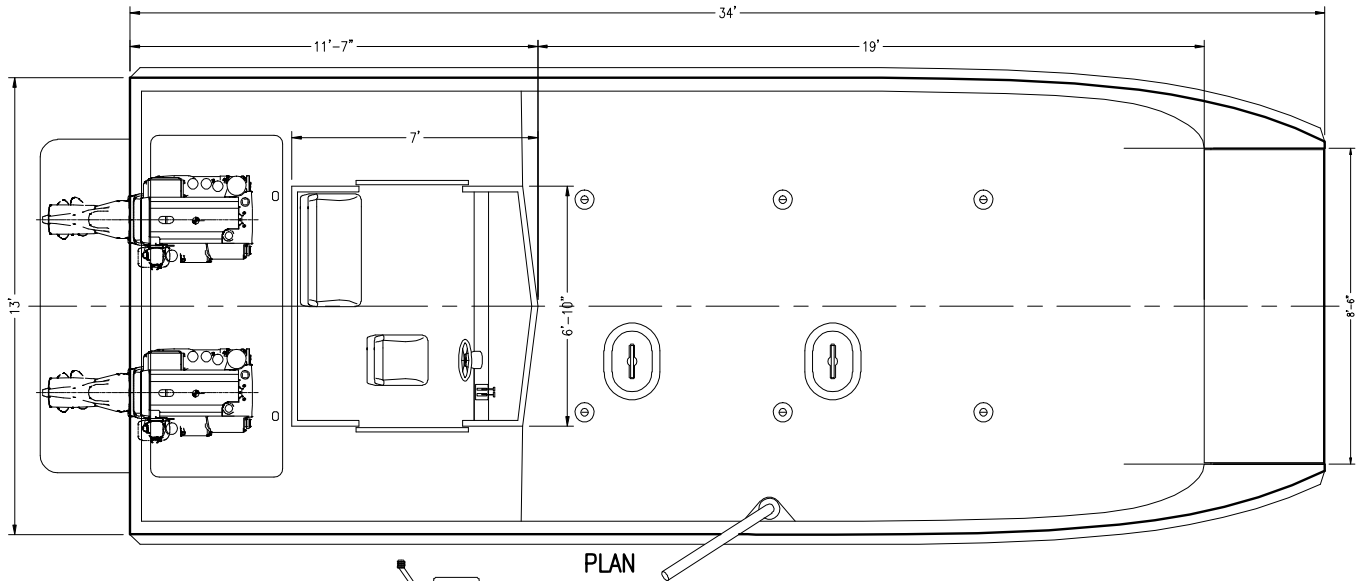
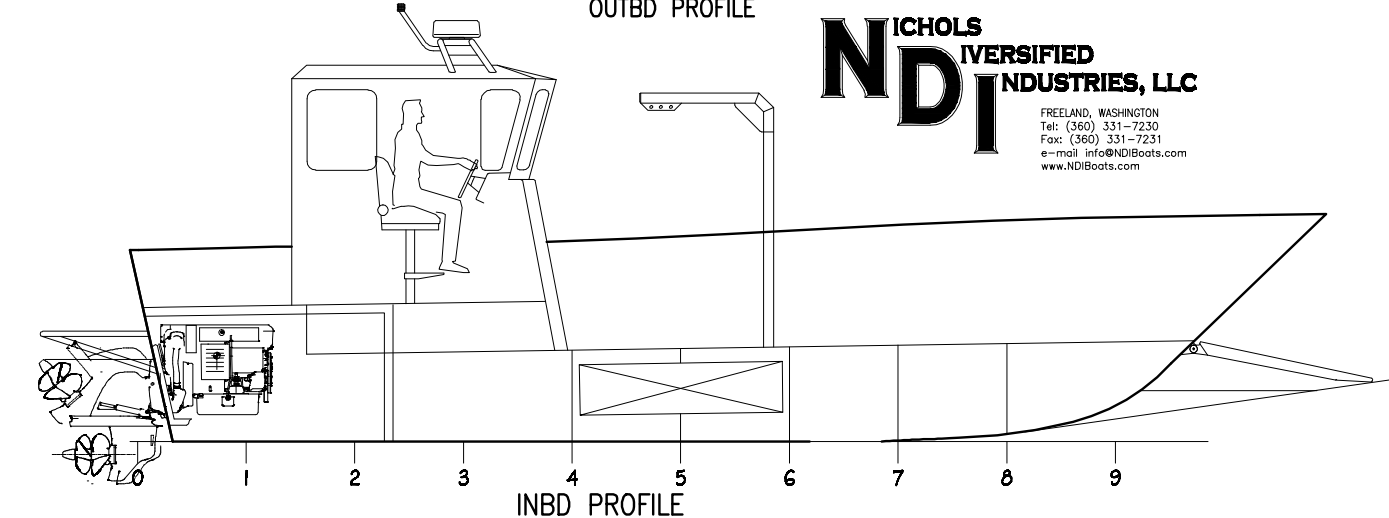
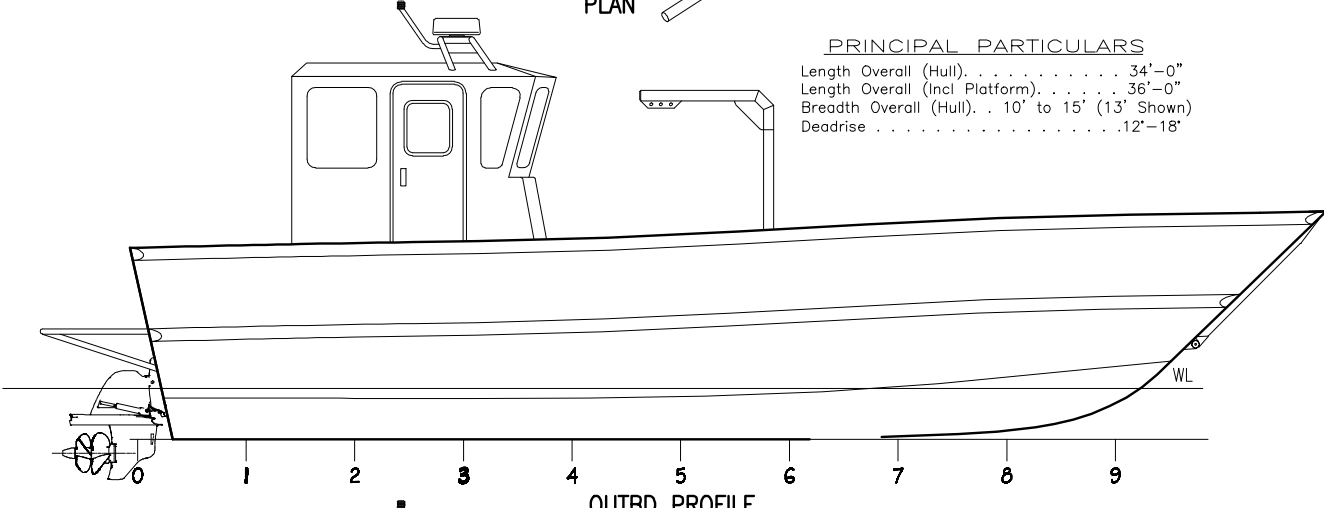


34' COMM / REC LANDING CRAFT



PRINCIPAL PARTICULARS

- Length Overall (Hull) 34'-0"
- Length Overall (Incl Platform) 36'-0"
- Breadth Overall (Hull) . . 10' to 15' (13" Shown)
- Deadrise 12"-18"



**NICHOLS
DIVERSIFIED
NDI INDUSTRIES, LLC**

FREELAND, WASHINGTON
Tel: (360) 331-7230
Fax: (360) 331-7231
e-mail: info@NDIBoats.com
www.NDIBoats.com

ALL PROFILE AND ARRANGEMENT DRAWINGS ARE MODIFIABLE TO SUIT THE NEEDS OR PREFERENCES OF OUR CUSTOMERS. PLEASE ALLOW US TO ACCOMMODATE YOU WITH YOUR PREFERRED CHANGES.

**ALL VESSELS AVAILABLE
FROM 20' TO 65'**

SOME OPTIONAL EQUIPMENT MAY BE SHOWN