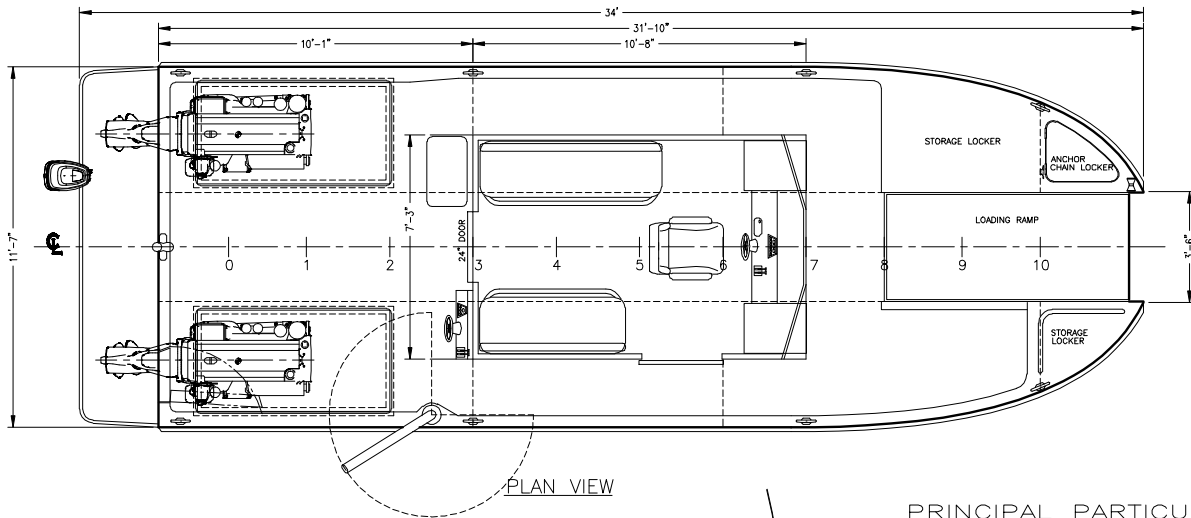
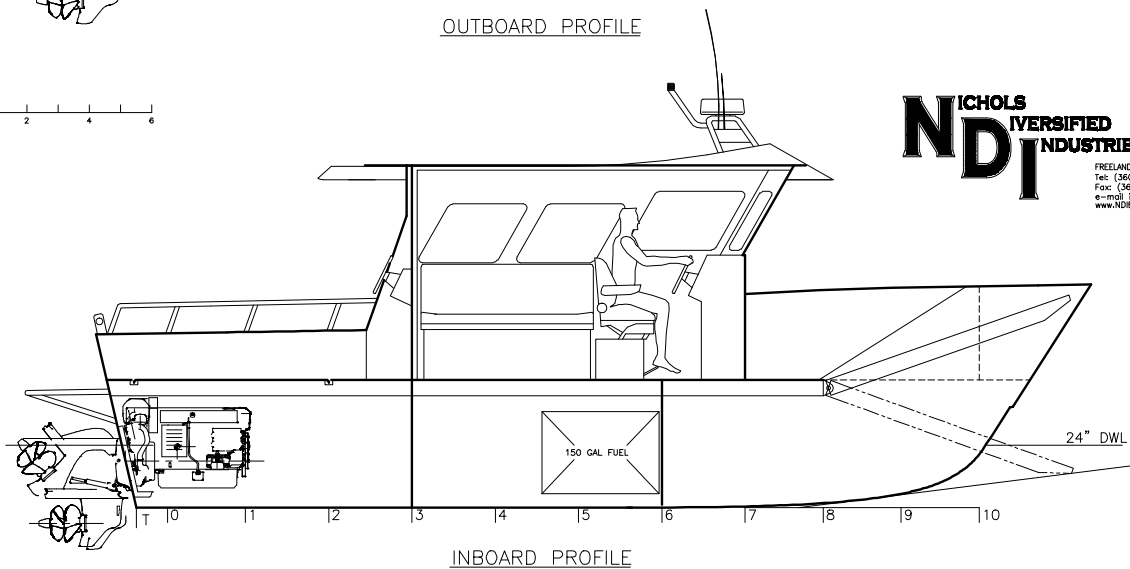
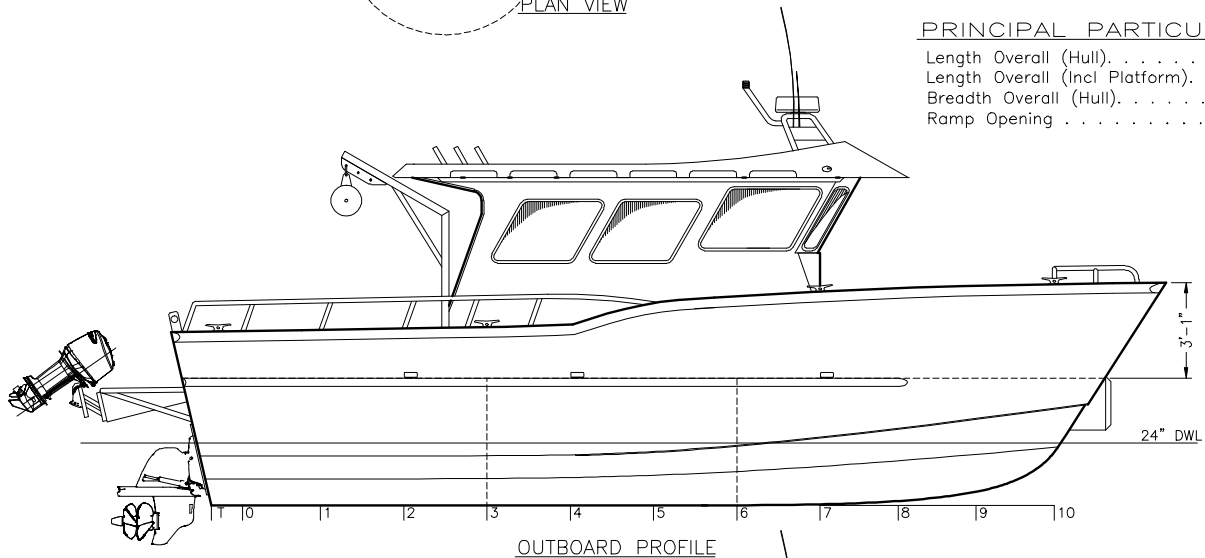


32'x11'-6" RECREATIONAL CATAMARAN LANDER



PRINCIPAL PARTICULARS

Length Overall (Hull) 31'-10"
 Length Overall (incl Platform) . 34'-0"
 Breadth Overall (Hull) 11'-7"
 Ramp Opening 3'-6"



**NICHOLS
DIVERSIFIED
NDI INDUSTRIES, LLC**
 FREELAND, WASHINGTON
 Tel: (360) 331-7230
 Fax: (360) 331-7231
 e-mail: info@NDIBoats.com
 www.NDIBoats.com

ALL PROFILE AND ARRANGEMENT DRAWINGS ARE MODIFIABLE TO SUIT THE NEEDS OR PREFERENCES OF OUR CUSTOMERS. PLEASE ALLOW US TO ACCOMMODATE YOU WITH YOUR PREFERRED CHANGES.

**ALL VESSELS AVAILABLE
FROM 20' TO 50'**