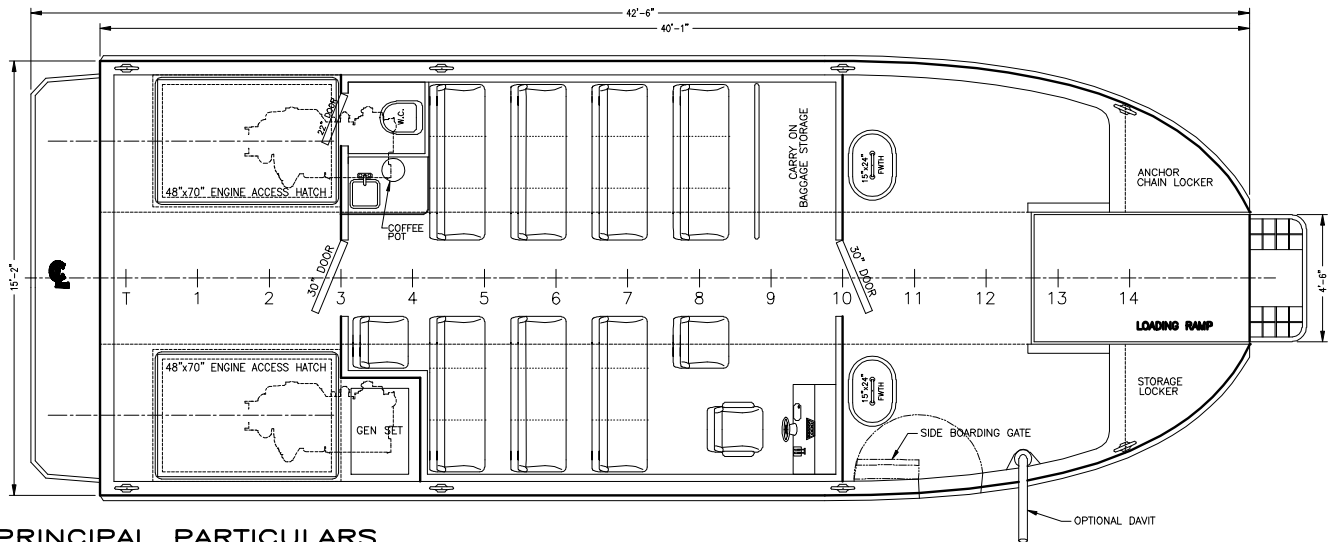


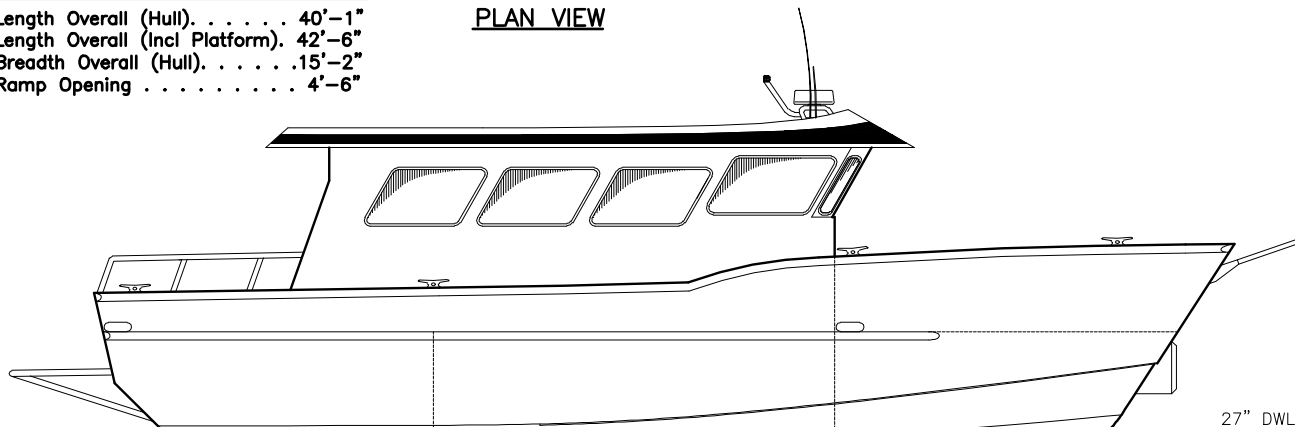
40'x15' CATAMARAN CREW BOAT WITH LANDING RAMP



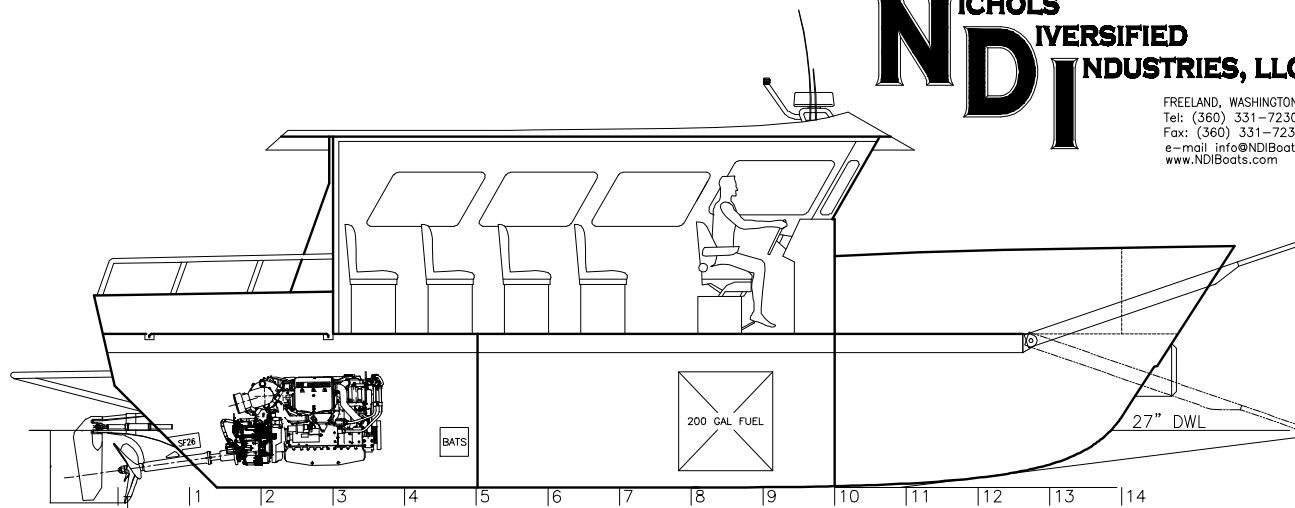
PRINCIPAL PARTICULARS

- Length Overall (Hull) 40'-1"
- Length Overall (Incl Platform) . 42'-6"
- Breadth Overall (Hull) 15'-2"
- Ramp Opening 4'-6"

PLAN VIEW



OUTBOARD PROFILE



INBOARD PROFILE

**NICHOLS
DIVERSIFIED
NDI INDUSTRIES, LLC**

FREELAND, WASHINGTON
Tel: (360) 331-7230
Fax: (360) 331-7231
e-mail: info@NDIBoats.com
www.NDIBoats.com

ALL PROFILE AND ARRANGEMENT DRAWINGS ARE MODIFIABLE TO SUIT THE NEEDS OR PREFERENCES OF OUR CUSTOMERS. PLEASE ALLOW US TO ACCOMMODATE YOU WITH YOUR PREFERRED CHANGES.

**ALL VESSELS AVAILABLE
FROM 20' TO 65'**