

# 55'x19' WATER TAXI

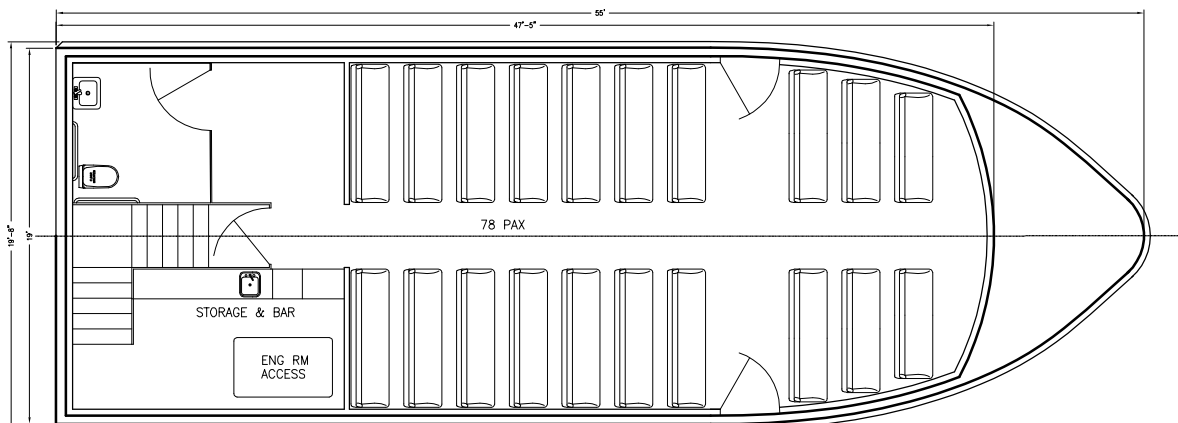
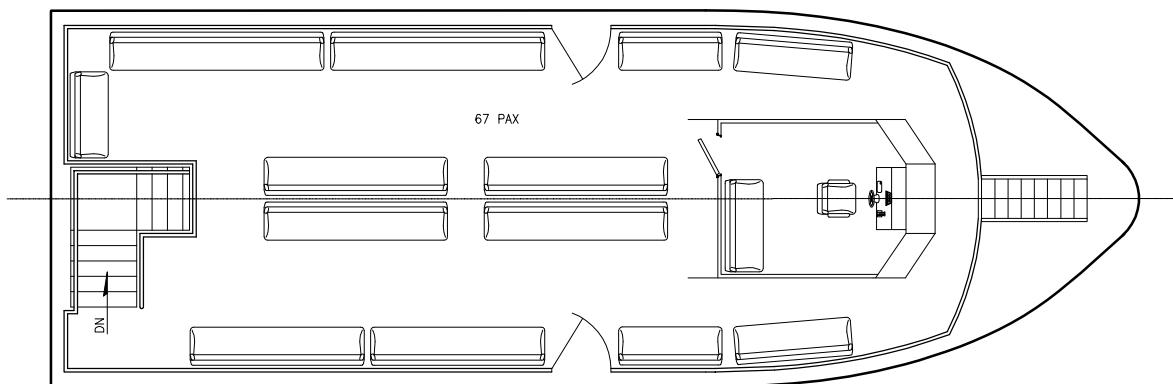


## PRINCIPAL PARTICULARS

Length Overall (Hull). . . . . 55'-0"  
 Breadth Overall (Hull). . . . . 19'-0"  
 Breadth Overall (Incl Fender). .19'-8"

**NICHOLS**  
**NDI** **DIVERSIFIED**  
**INDUSTRIES, LLC**

FREELAND, WASHINGTON  
 Tel: (360) 331-7230  
 Fax: (360) 331-7231  
 e-mail: info@NDIBoats.com  
 www.NDIBoats.com



ALL PROFILE AND ARRANGEMENT DRAWINGS ARE MODIFIABLE TO SUIT THE NEEDS OR PREFERENCES OF OUR CUSTOMERS. PLEASE ALLOW US TO ACCOMMODATE YOU WITH YOUR PREFERRED CHANGES.

**ALL VESSELS AVAILABLE FROM 20' TO 50'**