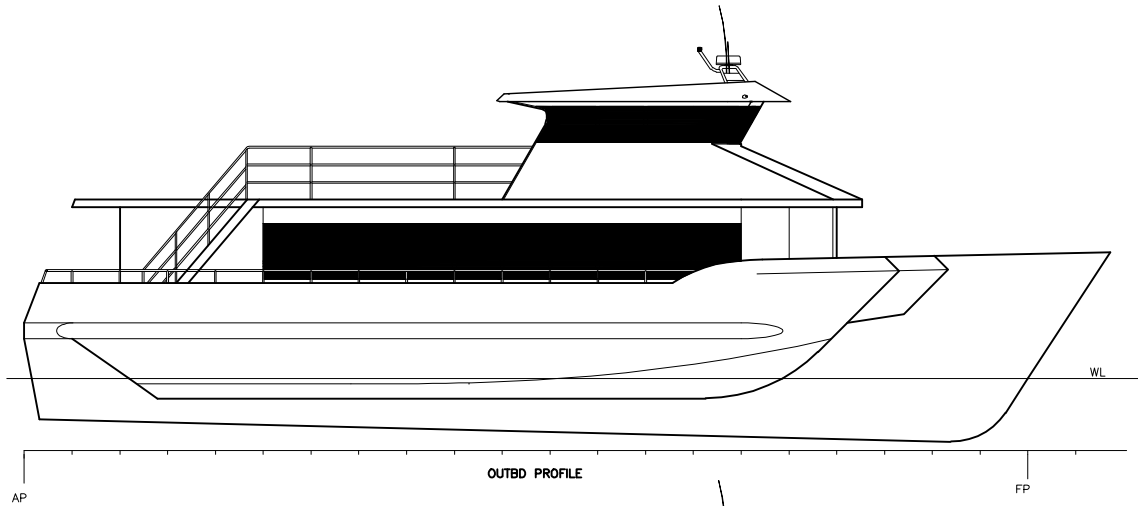
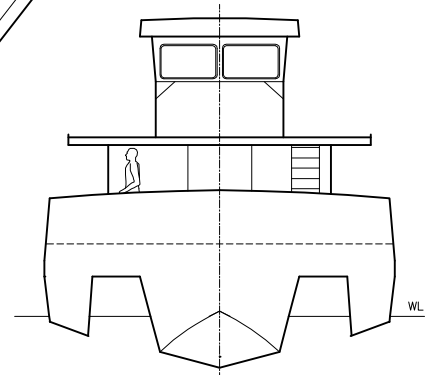
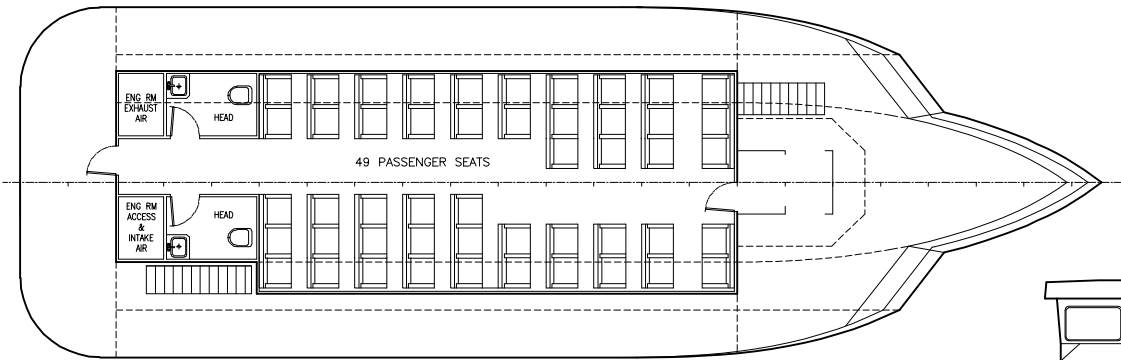
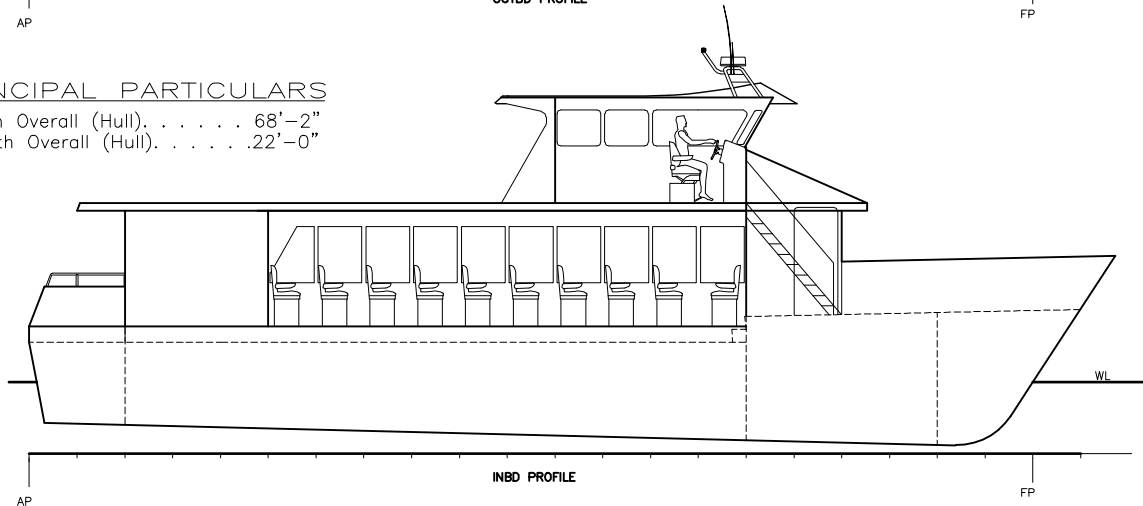


68'x22' 49 PASSENGER TRIMARAN



PRINCIPAL PARTICULARS

Length Overall (Hull) 68'-2"
 Breadth Overall (Hull) 22'-0"



NICHOLS
NDI **DIVERSIFIED**
INDUSTRIES, LLC

FREELAND, WASHINGTON
 Tel: (360) 331-7230
 Fax: (360) 331-7231
 e-mail info@NDIBoats.com
 www.NDIBoats.com

ALL PROFILE AND ARRANGEMENT DRAWINGS ARE MODIFIABLE TO SUIT THE NEEDS OR PREFERENCES OF OUR CUSTOMERS. PLEASE ALLOW US TO ACCOMMODATE YOU WITH YOUR PREFERRED CHANGES.

ALL VESSELS AVAILABLE FROM 20' TO 70'